

MRS 3232-HS

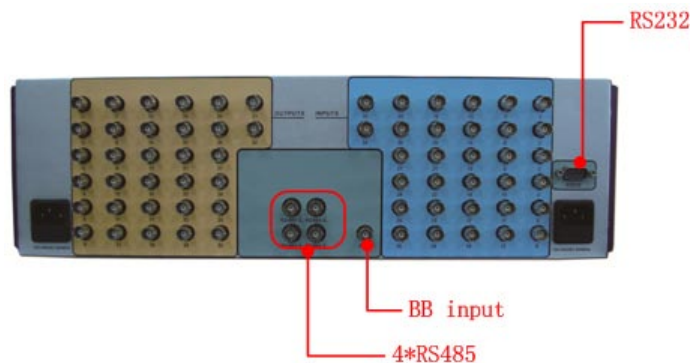
32x32 SD/HD Smart Router Series

MRS3232-HS SD/HD SDI series is a kind of digital signal switcher with high quality and low cost, which suits for middle-small sized broadcasting system, designed by Gefei Tech. The switching system adopts field blank switching, supplies independent external sync. interface, The separation of the host and remote control panel makes it more convenient to use. The host is 1U chassis, with dual power, which support simultaneously controlled by two remote control panels; through RS232 user can control the host by professional software on PC.



Key Features

- 20 bit digitization processing, high quality, high stability, to ensure the safety and reliability of broadcasting
- Support independent 32 channel bus outputs, and SD/HD inputs auto senescing
- Support external BB using field vanishing switching processing to ensure the switching without flicker and noise
- The host can be configured to support simultaneously controlled by two RCP through RS485
- Convenient to control by software through RS232
- 3U chassis, with dual power



Technical Specification

Host input interface

Input 32*SD/HD-SDI
Format 525i30 625i25 720P50 720P60 720P60/M 1080i50
1080i60 1080i60/M 1080sf24 1080sf24/M
1080P24 1080P24/M 1080P25 1080P30

Host output interface

Output 32*SD/HD-SDI
Amplitude 800±5%
Jitter <0.2UI

BB input

Input 1*BB PAL/NTSC

Host controller interface

connector 1xRS232 DB9 male
4*RS485 BNC

Power 2X120W

Dimensions

Size: 44 mm x1320 mm x80 mm

IMRS-XY Remote controller panel interface

Connector 2x RS485 BNC
Power 1X2.5W

Dimensions

Size: 44 mm x440 mm x80 mm

MRS 3201RCP Remote controller panel interface

Connector 2x RS485 BNC
Power 1X2.5W

Dimensions

Size: 44 mm x440 mm x80 mm

Ordering information

MRS 1616-HS	16x16 HD & SD router,w/ remote control panel
MRS 1608-HS	16x8 HD & SD router,w/ remote control panel
MRS 1604-HS	16x4 HD & SD router,w/ remote control panel
MRS 1601-HS	16x1 HD & SD router,w/ remote control panel
MRS 1616-S	16x16 SD router,w/ remote control panel
MRS 1608-S	16x8 SD router,w/ remote control panel
MRS 1604-S	16x4 SD router,w/ remote control panel
MRS 3232-HS	32x32 HD & SD router,w/ 1 X+Yremote control panel
MRS-XY	X+Y Remote control panel for MRS 32xx Series and MRS 16x16 Series
MRS3201 RCP	32inputs select and 1output for MRS 32x32HS